

BTRS1-US1

Auto-Rinse™ - Utility Station Bundle

Auto-Rinse™ Core Unit (BTRS-1) + The Utility Station (US1)



WORK FAST. WORK CLEAN.

BTRS1-US1 FEATURES:

- Stainless steel construction
- Provides space-saving storage beneath and around Auto-Rinse™
- Quickly, thoroughly, and automatically rinses a pair of drink-making tools (mixing tins, mixing glasses, bubble tea shakers, milk-frothing pitchers, jiggers, measuring glasses, cocktail strainers, and more)
- Warm-water rinse quickly dissolves sugars and syrups
- Disassembles for easy cleaning - removable components fit on a standard commercial glass/dishwasher rack
- Does not require electricity
- Does not use chemicals
- NSF certified
- Patented

BTRS-1 TECHNICAL SPECIFICATIONS:

- Minimum water pressure requirement: 30 PSI
- Adjustable rinse cycle time
- Self-Metering Valve: 1/2" NPSM inlet
- Nozzles: solid-stream polypropylene
- Drain: 1-1/2" oversized drain
- Materials: 18 gauge stainless steel. All plumbing components meet federal lead-free requirements and NSF standards
- Can rinse items up to 8" tall and 3.8" diameter (standard 28 oz. mixing tins, standard cocktail mixing glasses)

US1 FEATURES:

- Stainless steel construction
- Brings top of Auto-Rinse™ unit to average bar height (41" - 42")
- Removable speed rack reveals nearly 3 cubic feet of storage
- 2' x 2' footprint makes installation in underbar lineup seamless
- Space on top deck for various items including liquor bottles, glassware, blenders, juicing machines, etc.
- All plumbing routed below deck
- Adjustable bullet feet with 1" range



Product Notes (see pg. 2 for detailed diagrams)

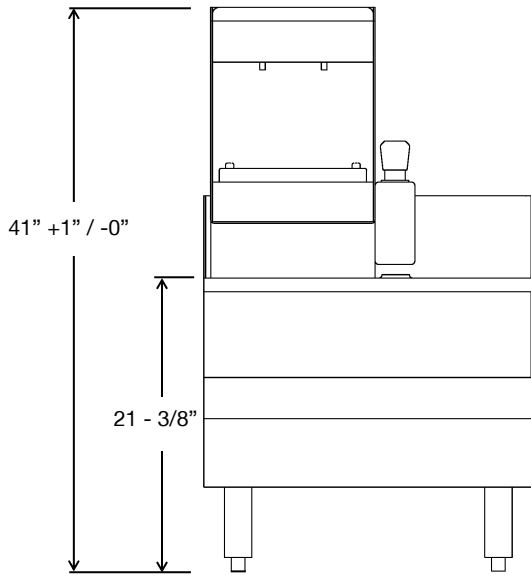
- Allow minimum of 4" clearance on side of valve box for servicing.
- 1-1/2" drain line recommended. Bushing down to smaller sizes will accelerate clogging.
- Caulk bead must be applied to create seal between mating surfaces of BTRS-1 and US1.
- BTRS-1 and US1 may ship in separate cartons and/or pallet(s).

Omni-Rinse, LLC · 738 E. Dundee Road #197 · Palatine, IL 60074 · PH: 847-792-1177
OmniRinse.com · info@OmniRinse.com

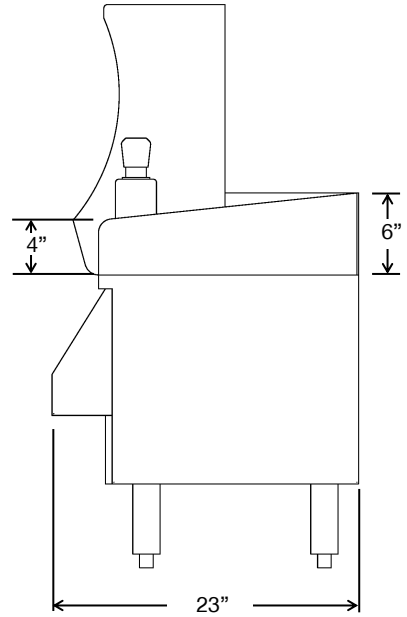
specifications subject to change without notice

BTRS1-US1

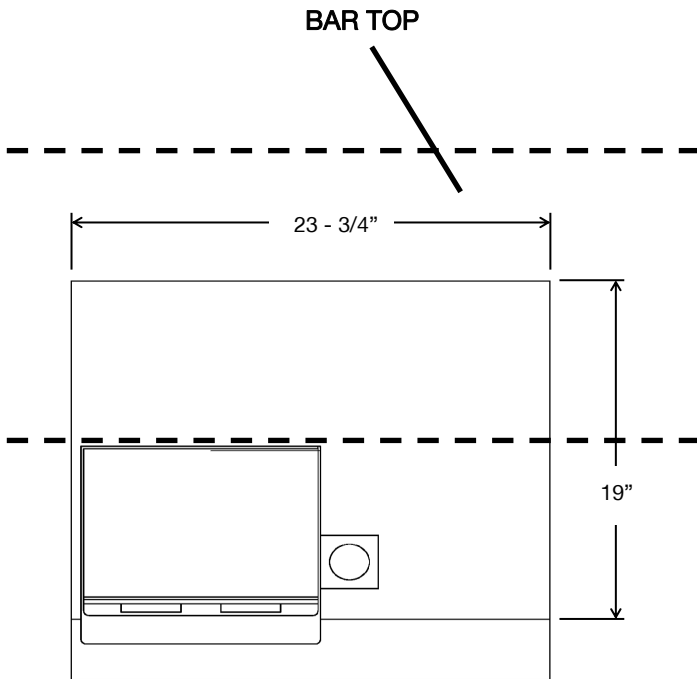
AUTO-RINSE™ (BTRS-1) + UTILITY STATION (US1)



FRONT ELEVATION



SIDE ELEVATION



PLAN VIEW

