

BTRS1-TC1

Auto-Rinse™ - The Cube Cabinet Bundle

Auto-Rinse™ Core Unit (BTRS-1) + The Cube (TC1)



WORK FAST. WORK CLEAN.

BTRS1-TC1 FEATURES:

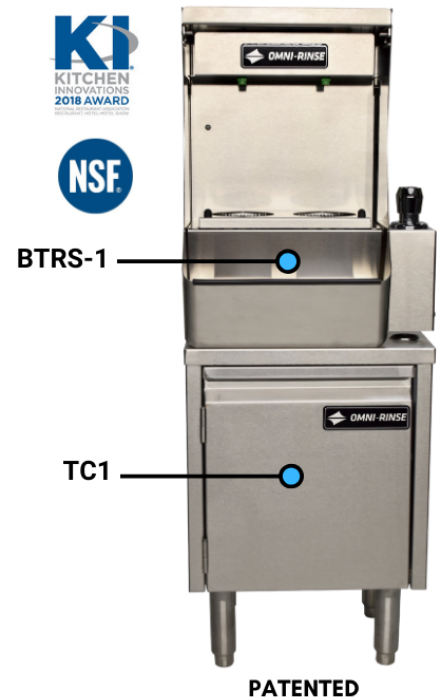
- Stainless steel construction
- Provides space-saving storage beneath Auto-Rinse™
- Quickly, thoroughly, and automatically rinses a pair of drink-making tools (mixing tins, mixing glasses, bubble tea shakers, milk-frothing pitchers, jiggers, measuring glasses, cocktail strainers, and more)
- Warm-water rinse quickly dissolves sugars and syrups
- Disassembles for easy cleaning - removable components fit on a standard commercial glass/dishwasher rack
- Does not require electricity
- Does not use chemicals
- NSF certified
- Patented

BTRS-1 TECHNICAL SPECIFICATIONS:

- Minimum water pressure requirement: 30 PSI
- Adjustable rinse cycle time
- Self-Metering Valve: 1/2" NPSM inlet
- Nozzles: solid-stream polypropylene
- Drain: 1-1/2" oversized drain
- Materials: 18 gauge stainless steel. All plumbing components meet federal lead-free requirements and NSF standards
- Can rinse items up to 8" tall and 3.8" diameter (standard 28 oz. mixing tins, standard cocktail mixing glasses)

TC1 FEATURES:

- Stainless steel construction
- Brings top of Auto-Rinse™ unit to average bar height (41" - 42")
- Compact footprint allows for versatile placements, making installations and retrofits easy
- Convenient storage space holds 12-15 1L. bottles or other miscellaneous items
- All plumbing routed below deck
- Adjustable bullet feet with 1" range



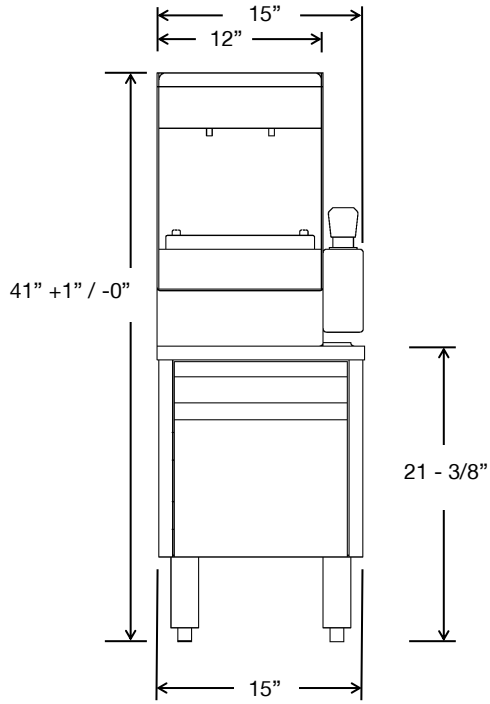
Product Notes (see pg. 2 for detailed diagrams)

- Allow minimum of 4" clearance on side of valve box for servicing.
- 1-1/2" drain line recommended. Bushing down to smaller sizes will accelerate clogging.
- Caulk bead must be applied to create seal between mating surfaces of BTRS-1 and TC1.
- BTRS-1 and TC1 may ship in separate cartons and/or pallets.

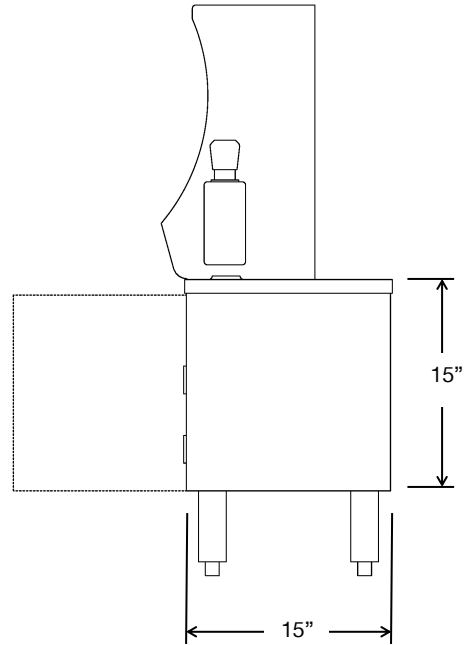
Omni-Rinse, LLC · 738 E. Dundee Road #197 · Palatine, IL 60074 · PH: 847-792-1177
OmniRinse.com · info@OmniRinse.com

specifications subject to change without notice

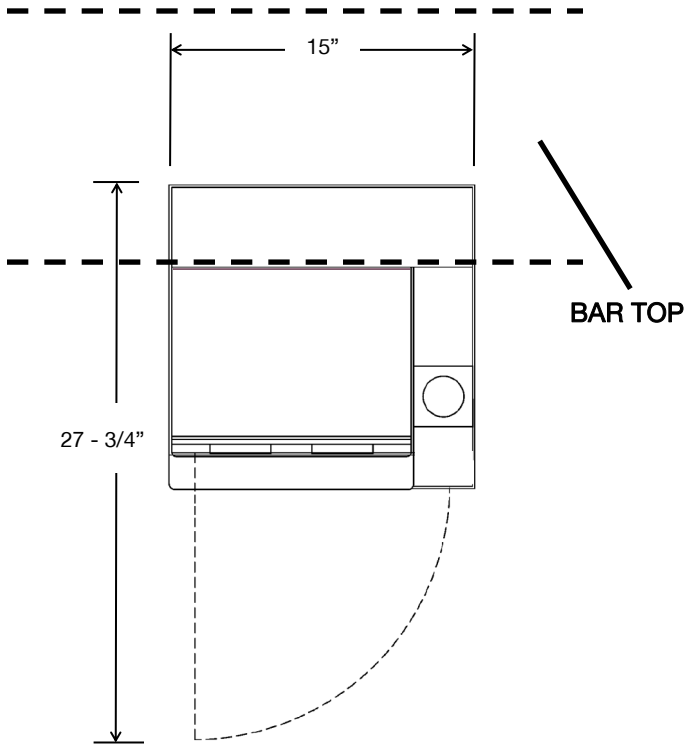
BTRS1-TC1 AUTO-RINSE™ (BTRS-1) + THE CUBE (TC1)



FRONT ELEVATION



SIDE ELEVATION



PLAN VIEW

