

BTRS1-TB1

Auto-Rinse™ - Table Top Base Bundle

Auto-Rinse™ Core Unit (BTRS-1) + Table Top Base (TB1)



WORK FAST. WORK CLEAN.

BTRS1-TB1 FEATURES:

- Stainless steel construction
- Allows Auto-Rinse™ to sit on a table or countertop
- Quickly, thoroughly, and automatically rinses a pair of drink-making tools (mixing tins, mixing glasses, bubble tea shakers, milk-frothing pitchers, jiggers, measuring glasses, cocktail strainers, and more)
- Warm-water rinse quickly dissolves sugars and syrups
- Disassembles for easy cleaning - removable components fit on a standard commercial glass/dishwasher rack
- Does not require electricity
- Does not use chemicals
- NSF certified
- Patented

BTRS-1 TECHNICAL SPECIFICATIONS:

- Minimum water pressure requirement: 30 PSI
- Adjustable rinse cycle time
- Self-Metering Valve: 1/2" NPSM inlet
- Nozzles: solid-stream polypropylene
- Drain: 1-1/2" oversized drain
- Materials: 18 gauge stainless steel. All plumbing components meet federal lead-free requirements and NSF standards
- Can rinse items up to 8" tall and 3.8" diameter (standard 28 oz. mixing tins, standard cocktail mixing glasses)

TB1 FEATURES:

- Stainless steel construction
- Allows Auto-Rinse™ to be placed on countertops, tables, or equipment stands
- Ideal for specialty coffee and bubble tea service
- Adjustable leveling feet



BTRS-1

TB1



PATENTED



TB1

Product Notes (see pg. 2 for detailed diagrams)

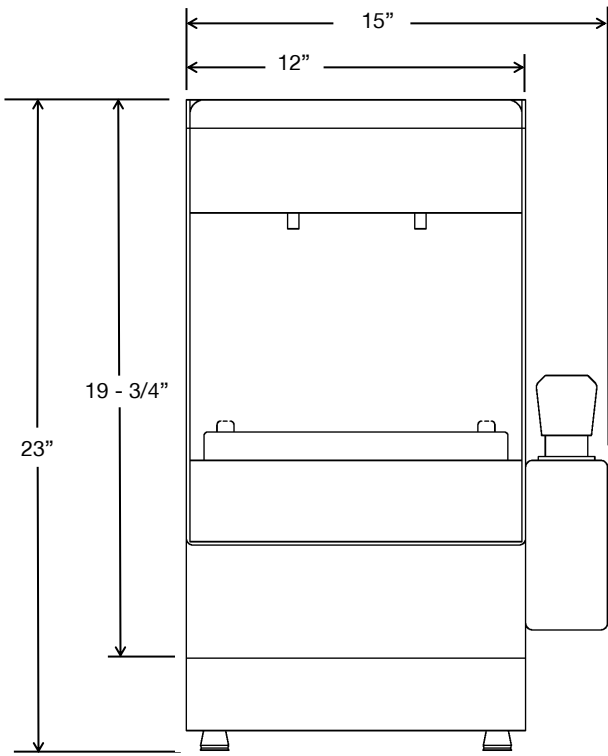
- If mounting beneath bar top, or any obstruction more than 6" deep, allow minimum of 2" clearance above unit for removal of top cover.
- Allow minimum of 4" clearance on side of valve box for servicing.
- 1-1/2" drain line recommended. Bushing down to smaller sizes will accelerate clogging.

Omni-Rinse, LLC · 738 E. Dundee Road #197 · Palatine, IL 60074 · PH: 847-792-1177
OmniRinse.com · info@OmniRinse.com

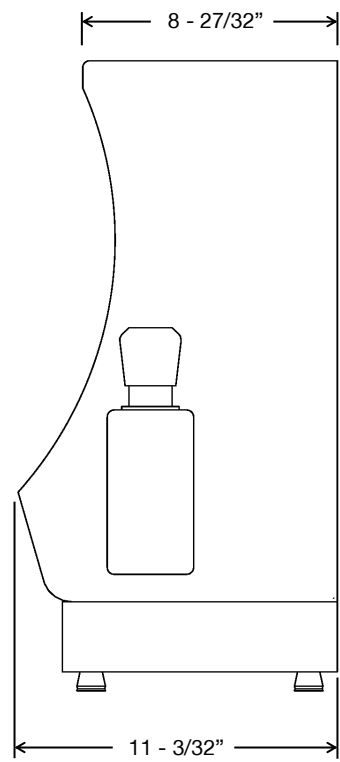
specifications subject to change without notice

BTRS1-TB1

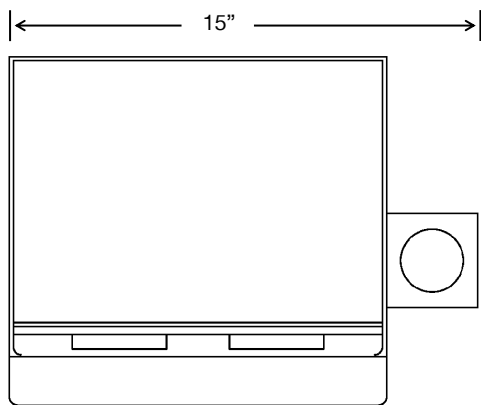
AUTO-RINSE™ (BTRS-1) + TABLE TOP BASE (TB1)



FRONT ELEVATION

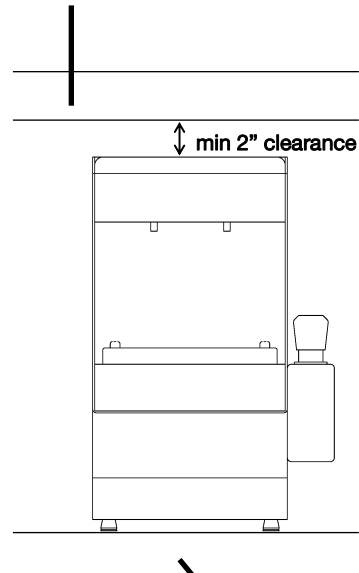


SIDE ELEVATION



PLAN VIEW

BAR TOP, SHELF, OR OTHER OBSTRUCTION



COUNTER TOP